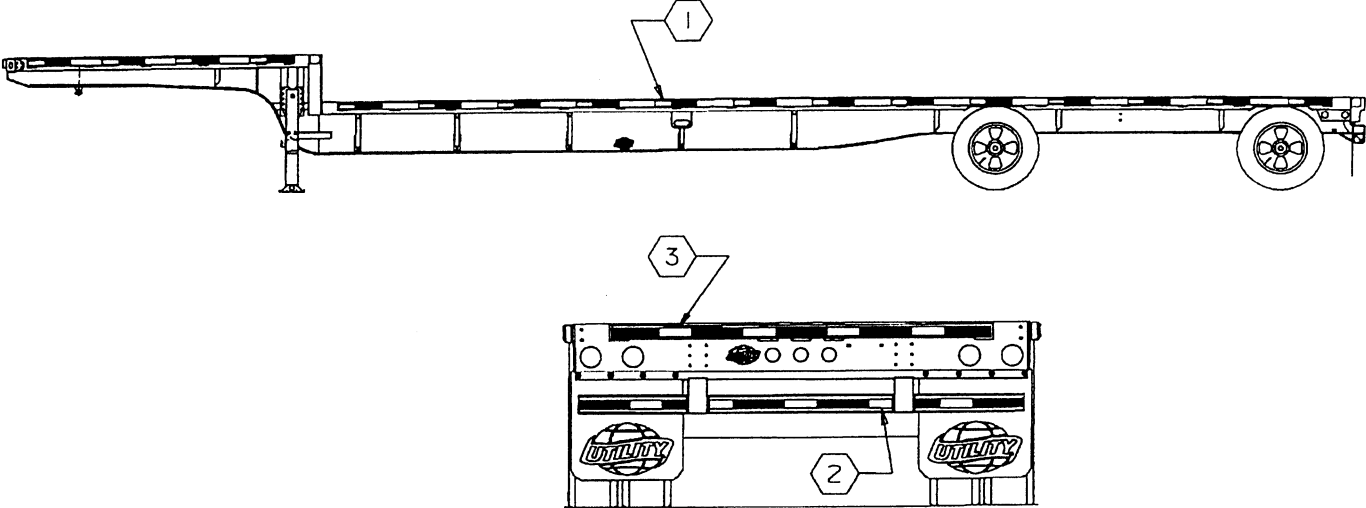


# Step Decks



**NOTES:**

- ① STRIP OF 2" WIDE X 18" LONG RED AND WHITE TAPE LOCATED ON RUBRAIL STARTING FROM THE FRONT FULL LENGTH EVENLY SPACED.
- ② STRIP OF 2" WIDE RED AND WHITE TAPE APPLY 3 PIECES FULL WIDTH OF BUMPER.
- ③ CONTINUOUS STRIP OF 2" WIDE RED AND WHITE TAPE WITH THE RED STRIPE CENTERED & STMMETRICAL LOCATED ON THE RUBRAIL.

CONSPICUITY TAPE LOCATION FOR FS2CDHA		
<b>UTILITY TRAILER MFG. CO.</b> CITY OF INDUSTRY, CALIFORNIA		
DATE: 02-12-13	GROUP	DRAWING NUMBER
DR'N: BJL	17	PB-222
SCALE: .014		