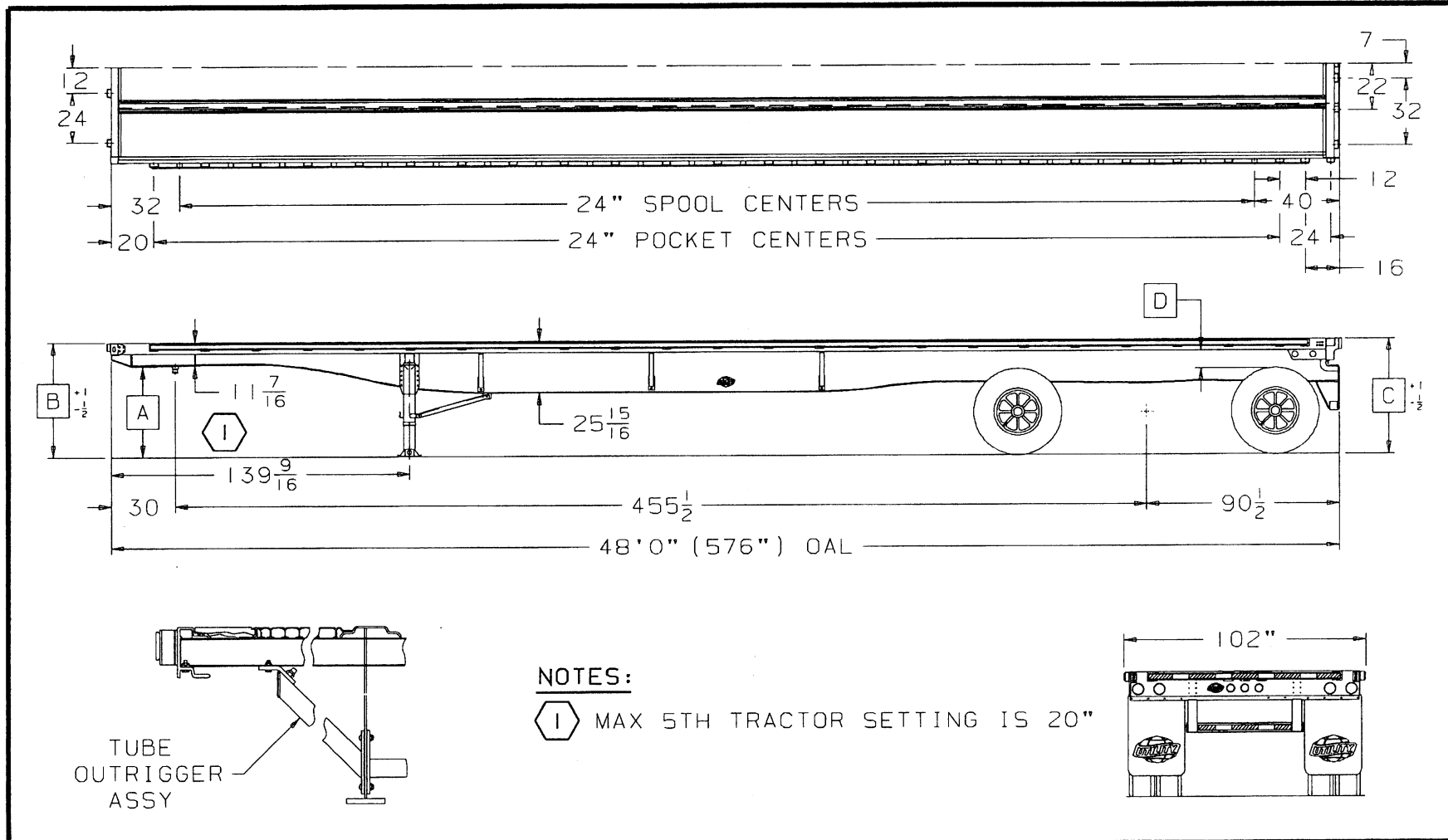


48' Flatbeds



NOTES:

I MAX 5TH TRACTOR SETTING IS 20"

TIRE DIA	A 5TH HT	B FRT DECK HT	C REAR DECK HT	SLOPE	D TIRE CLEAR
40	47	58 3/8	53 5/16	5 1/16	8 1/2
41.3	47	58 5/16	54	4 5/16	7 7/8
43	47	58 1/4	54 7/8	3 3/8	7

FS2CHA SHOW DRAWING		
UTILITY TRAILER MFG. CO. CITY OF INDUSTRY, CALIFORNIA		
DATE: 09-14-07	GROUP	DRAWING NUMBER
DR'N: Rzm	1	PB-171
SCALE: 1/64		